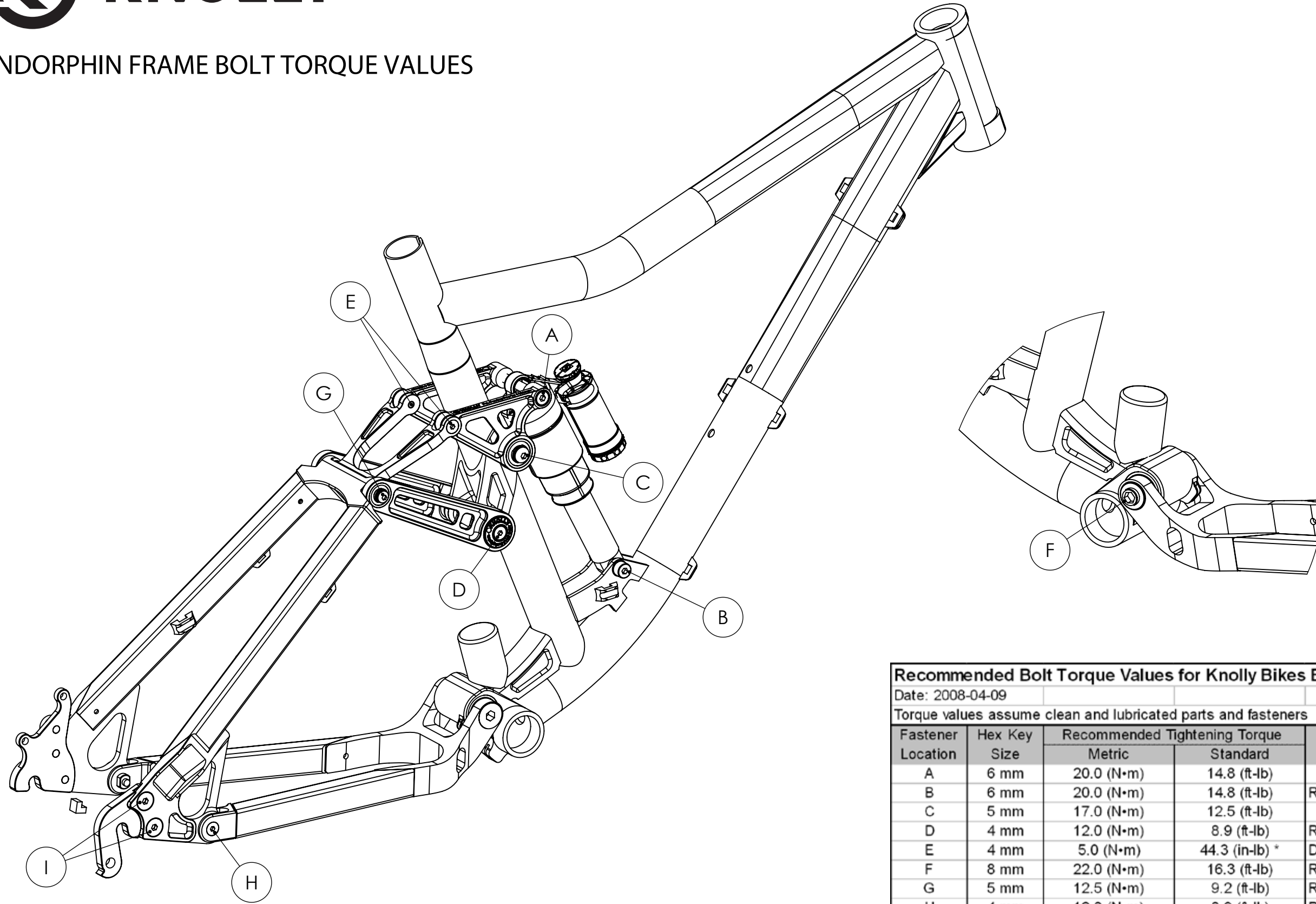




ENDORPHIN FRAME BOLT TORQUE VALUES



Recommended Bolt Torque Values for Knolly Bikes Endorphin Frame				
Date: 2008-04-09				
Torque values assume clean and lubricated parts and fasteners				
Fastener Location	Hex Key Size	Recommended Tightening Torque		Notes
		Metric	Standard	
A	6 mm	20.0 (N•m)	14.8 (ft-lb)	
B	6 mm	20.0 (N•m)	14.8 (ft-lb)	Requires 13mm Open Ended Wrench
C	5 mm	17.0 (N•m)	12.5 (ft-lb)	
D	4 mm	12.0 (N•m)	8.9 (ft-lb)	Requires Additional 4mm Hex Key
E	4 mm	5.0 (N•m)	44.3 (in-lb) *	Do Not Over Tighten!
F	8 mm	22.0 (N•m)	16.3 (ft-lb)	Requires Additional 8mm Hex Key
G	5 mm	12.5 (N•m)	9.2 (ft-lb)	Requires Additional 5mm Hex Key
H	4 mm	12.0 (N•m)	8.9 (ft-lb)	Requires 10mm Open Ended Wrench
I	5 mm	20.0 (N•m)	14.8 (ft-lb)	For All 5 Dropout Bolts

* Torque value in inch-pounds