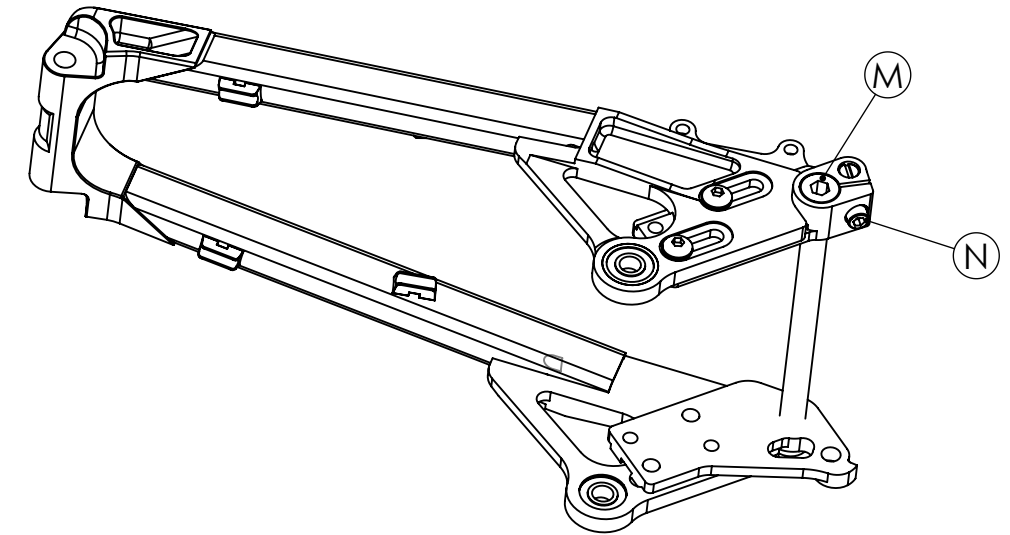
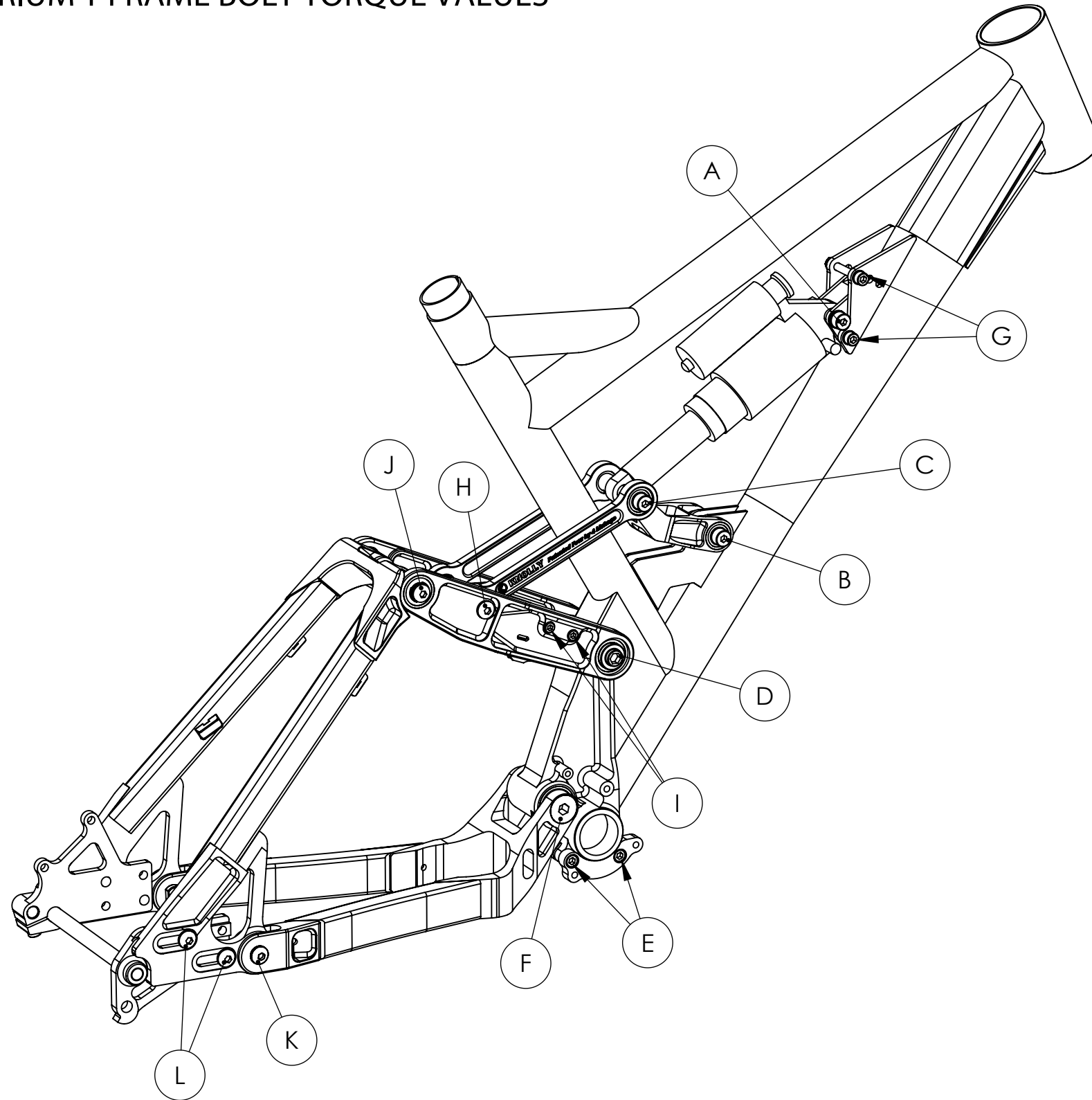




DELIRIUM T FRAME BOLT TORQUE VALUES



Recommended Bolt Torque Values for Knolly Bikes Delirium T Frame				
Date: 2008-10-21				
Torque values assume clean and lubricated parts and fasteners				
Fastener Location	Hex Key Size	Recommended Tightening Torque		Notes
		Metric	Standard	
A	6 mm	20.0 (N·m)	14.8 (ft-lb)	Requires 13 mm Open Ended Wrench
B	6 mm	20.0 (N·m)	14.8 (ft-lb)	Requires 13 mm Open Ended Wrench
C	6 mm	20.0 (N·m)	14.8 (ft-lb)	Requires 13 mm Open Ended Wrench
D	8 mm	34.0 (N·m)	25.1 (ft-lb)	Requires Additional 8 mm Hex Key
E	4 mm	12.0 (N·m)	8.9 (ft-lb)	Apply Loctite 242 To Bolt Threads
F	8 mm	22.0 (N·m)	16.3 (ft-lb)	Requires Additional 8 mm Hex Key
G	5 mm	12.5 (N·m)	9.2 (ft-lb)	Requires 10 mm Open Ended Wrench
H	5 mm	17.0 (N·m)	12.5 (ft-lb)	Requires Additional 5 mm Hex Key
I	4 mm	9.0 (N·m)	79.6 (in-lb) *	
J	5 mm	17.0 (N·m)	12.5 (ft-lb)	
K	5 mm	17.0 (N·m)	12.5 (ft-lb)	Requires 12 mm Open Ended Wrench
L	5 mm	17.0 (N·m)	12.5 (ft-lb)	For All 4 Dropout Bolts
M	8 mm	11.5 (N·m)	8.5 (ft-lb)	
N	5 mm	12.5 (N·m)	9.2 (ft-lb)	Only Used With Thru Axle Dropouts

* Torque value in inch-pounds